

JVC

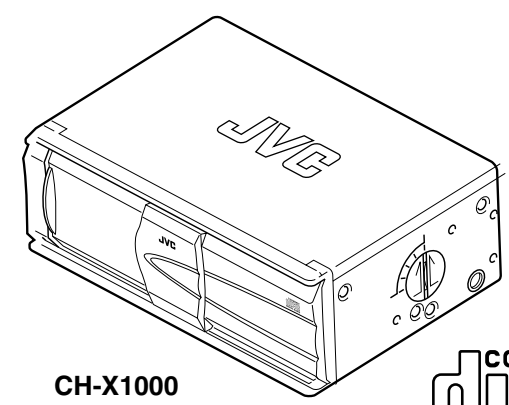
SCHEMATIC DIAGRAMS

COMPACT DISC AUTOMATIC CHANGER

CH-X1000 / CH-X1000RF

CD-ROM No.SML200102

| Area Suffix | |
|-------------|------------------------|
| E | ----Continental Europe |



CH-X1000

COMPACT
disc
DIGITAL AUDIO

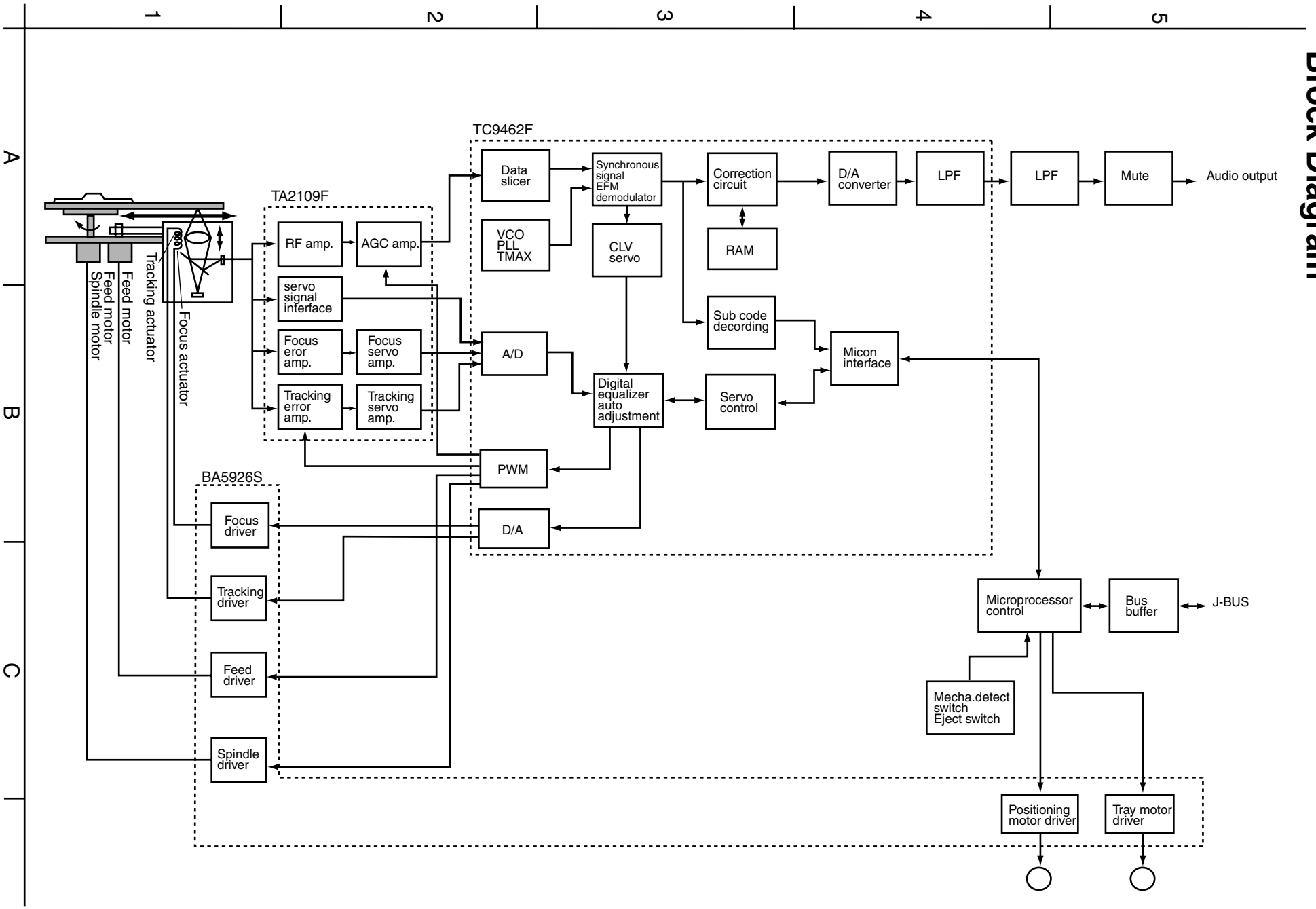
Contents

| | |
|-----------------------------------|-----|
| Block diagram | 2-1 |
| Standard schematic diagrams | 2-3 |
| Printed circuit boards | 2-5 |

JVC

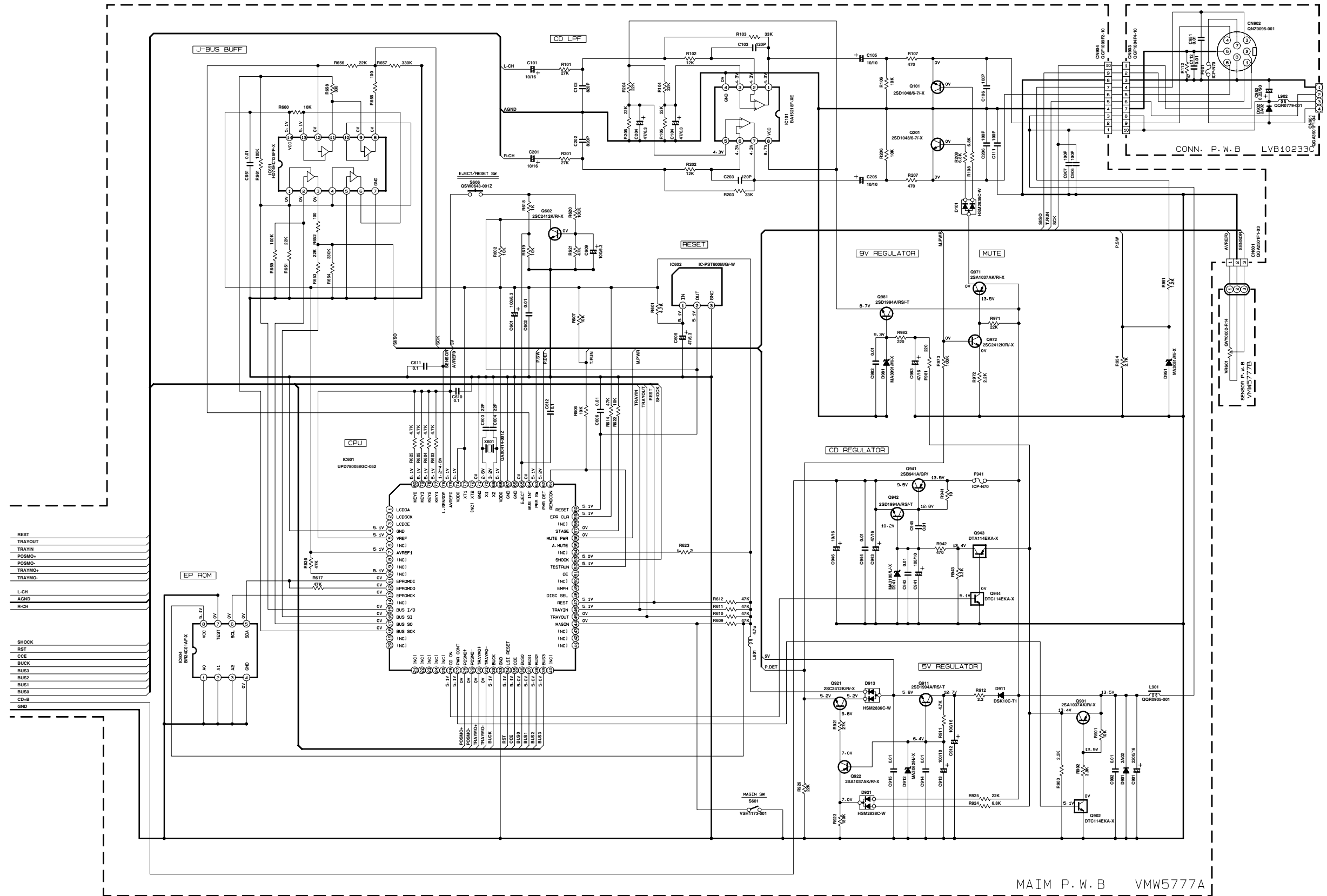
VICTOR COMPANY OF JAPAN, LIMITED
MOBILE ELECTRONICS DIVISION
PERSONAL & MOBILE NETWORK BUSINESS UNIT. 10-1,1Chome,Ohwatari-machi,Maebashi-city,Japan

Brock Diagram



Standard schematic diagrams

■ Main circuit 1



MAIM P.W.B VMW5777A

| | | |
|----------|--|--|
| DTA114KA | | |
| DTC114KA | | |

- NOTES
1. VOLTAGES ARE DC-MEASURED WITH A DIGITAL VOLT METER WITHOUT INPUT SIGNAL CONDITION—CD MODE.
 2. UNLESS OTHERWISE SPECIFIED:
 ALL RESISTORS ARE 1/10W OR 1/4W $\pm 5\%$ METAL GLAZE RESISTOR.
 ALL CAPACITORS ARE 50V OR 25V CERAMIC CAPACITOR.
 ALL RESISTANCE VALUES ARE IN Ω M.
 ALL CAPACITANCE VALUES ARE IN μ F (P=PF)
 ALL E. CAPACITORS ARE SHOWN IN THE FORM OF CAPACITANCE(μ F)/RATED VOLTAGE (V)

5

4

3

2

1

A

B

C

D

E

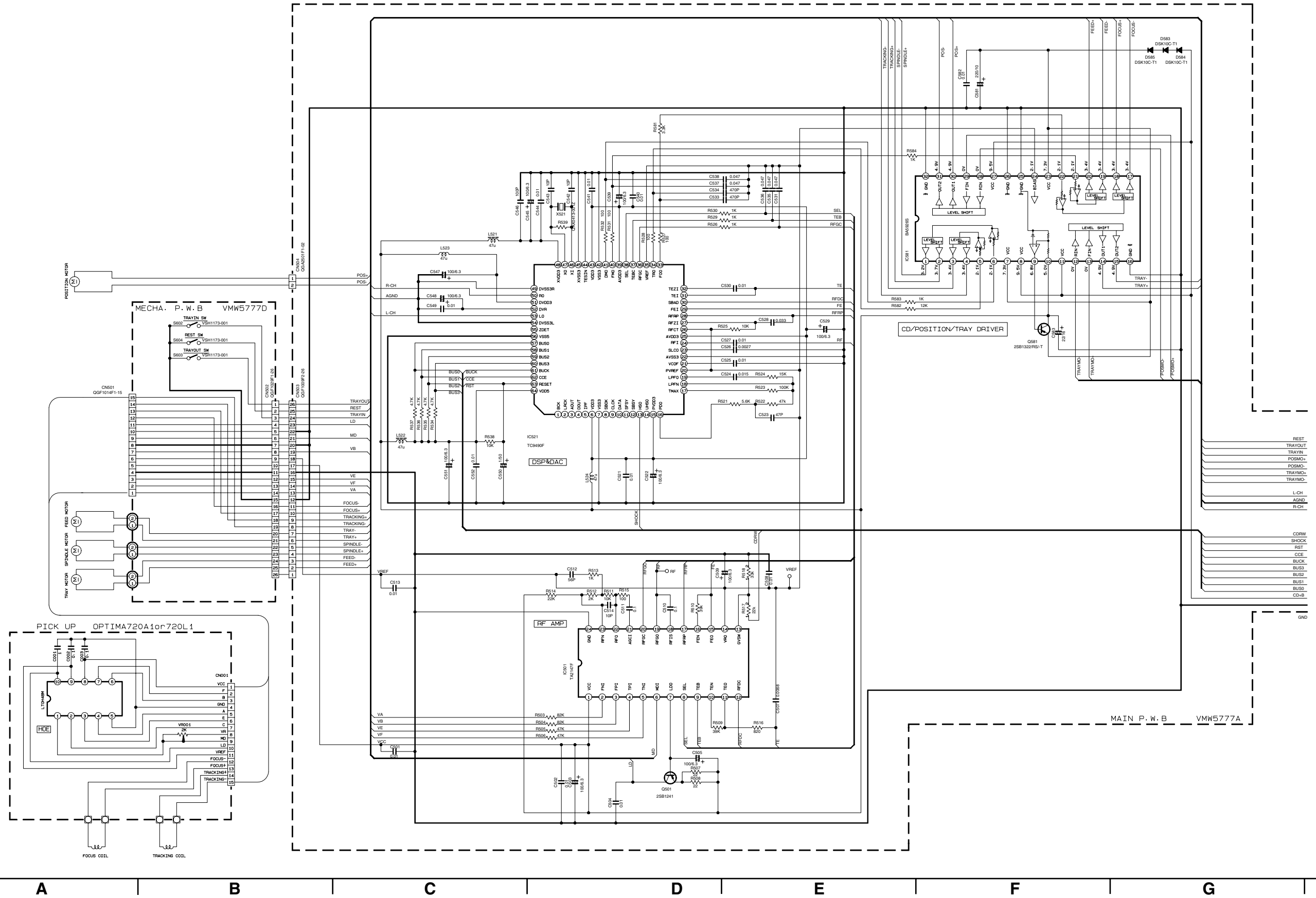
F

G

H

Main circuit 2

- NOTES
1. VOLTAGES ARE DC-MEASURED WITH A DIGITAL VOLT METER WITHOUT INPUT SIGNAL CONDITION—CD MODE.
 2. UNLESS OTHERWISE SPECIFIED, ALL RESISTORS ARE 1/10W OR 1/4W ±5% METAL GLAZE RESISTOR. ALL CAPACITORS ARE 50V OR 25V CERAMIC CAPACITOR. ALL RESISTANCE VALUES ARE IN OHM. ALL CAPACITANCE VALUES ARE IN uF(P=PF) ALL E. CAPACITORS ARE SHOWN IN THE FORM OF CAPACITANCE(uF)/RATED VOLTAGE(V)



■ Main board

